

ENERGY SOLUTIONS

ES TOUCHCONTROL - Bringing panels to life



ES TOUCHCONTROL - Next Generation monitoring and control.

- Range of monitoring and control panel systems
- ES design and build panels to bespoke requirements
- Utilising touch screen and non touch screen technology
- Reduced build time and cabling

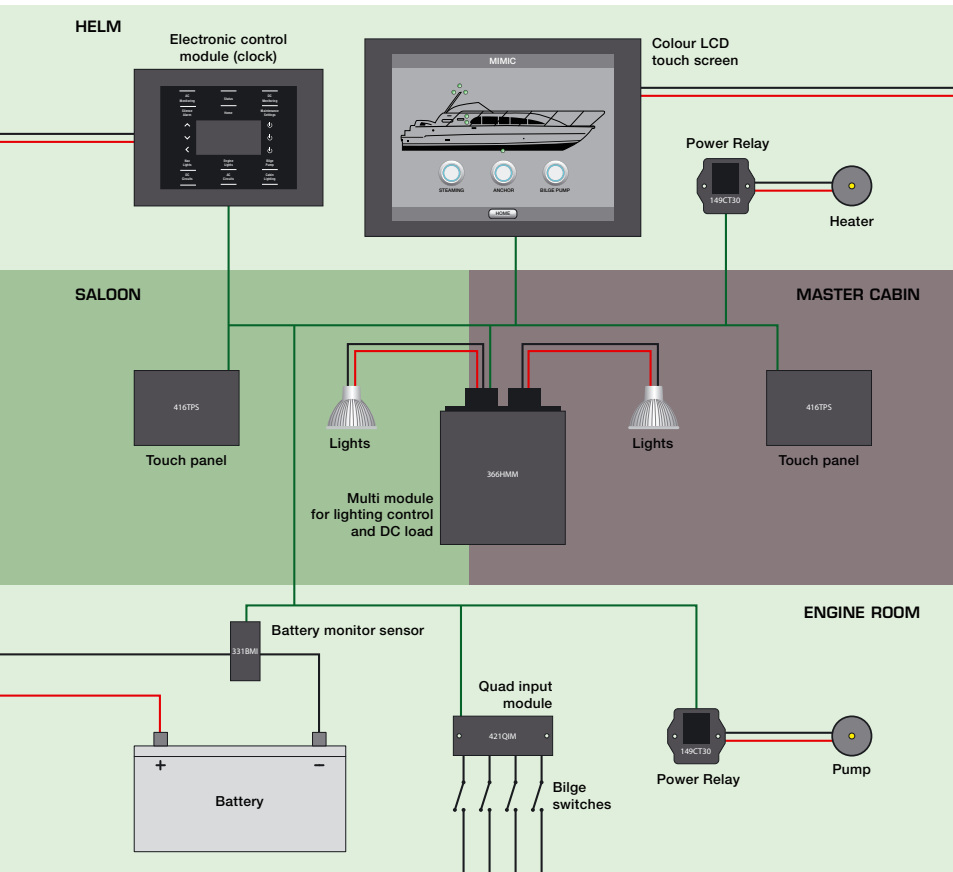
POWER AT YOUR CONTROL

ES TOUCHCONTROL

Full onboard system with bespoke graphics



LCD touch screen panel within E-Plex multiplexing system - simple overview



ES TouchControl

Advantages for vessel owners:

- All controls from one interface
- Contemporary, innovative look
- Bringing technology onboard
- User friendly.

Advantages for boat builders:

- Reduced build costs and installation times
- Appeals to the 'iPod' generation
- Provides competitive edge
- Create your own branded look and feel
- Simple to cope with non standard options - no new wires to pull

Energy Solutions offer a full consultation and design service for ES TouchControl panels and systems.

- Consultation on requirements
- Range of technology solutions
- Development and design all done in-house
- Innovation – constantly updating
- Sleek, contemporary designs

Energy Solutions work with the following companies systems.

- Free Technics - FT NavVision
- Airpax – E-Plex
- Capi 2

Sample control screens



ES TOUCHCONTROL - Next Generation monitoring and control. Bringing panels to life.

Working with key manufacturers of monitor and control systems Energy Solutions have designed systems for boat builders of all sizes.

From mega-yachts to cruisers and work vessels, Energy Solutions have the technology and skills to develop a system with touch screen interface that addresses your needs, your customers wishes, and helps reduce build time and costs.

With integrated systems that allow owners to operate all of their electrical systems from screens or from one panel; up to fully integrated system that allows control and monitoring of all data and equipment such as engines, generators, pumps, navigation etc.

We work with each client to design and build bespoke applications to ensure each project has a unique look.

Please contact Energy Solutions for further information and order details.