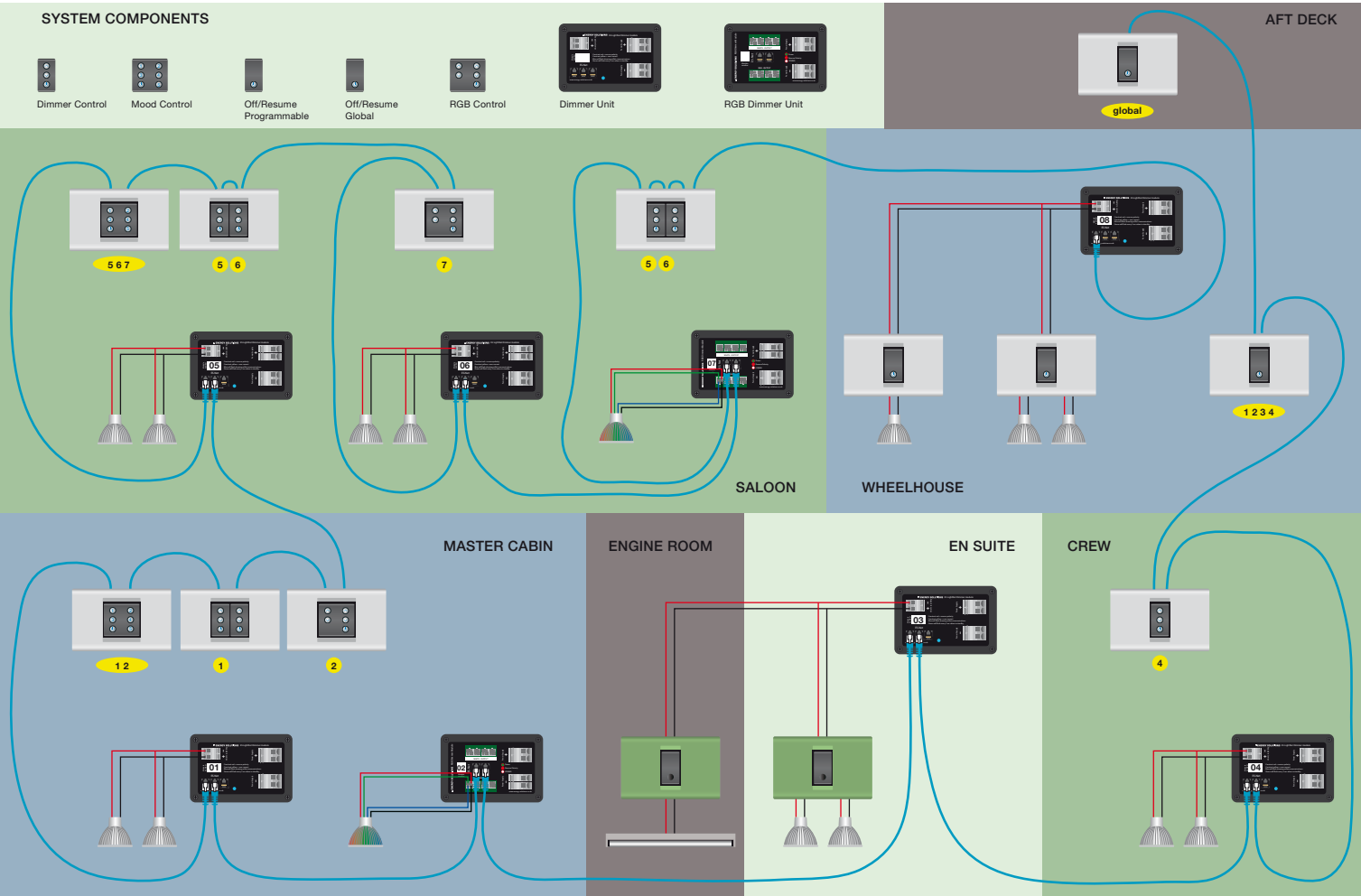


ENERGY SOLUTIONS

ES LIGHTNET - Sophisticated dimmer, mood and LED colour lighting system

SYSTEM COMPONENTS



ES LIGHTNET - Next generation yacht lighting

- Dimmer, mood and colour modules
- Stabilised DC output for maximising bulb life
- Intelligent networked cabling
- Global onboard / offboard switch

POWER AT YOUR CONTROL

ES LIGHTNET - Feature rich lighting available with two user control styles

ES LightNet is a sophisticated lighting system with dimmer, mood and colour modules suitable for luxury vessels of all sizes. The system allows vessel owners to create individual lighting effects in different areas as well as allowing global control of the entire system.

In addition the units provide stabilised DC output, so that even if the input voltage fluctuates the DC output remains constant. The result is a consistent ambience and longer life for the system's light bulbs.

Reduced installation time

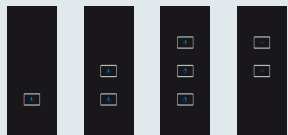
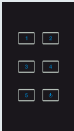
With simple cabling the ES LightNet system is easy to install. With straight forward programming the intuitive setup is quick.

Because all the modules communicate over a common bus the wiring is simplified and installation time dramatically reduced.

System components

LightNet

LightNet Glass



Dimmer Control

An off/resume switch with dimmer control.

Mood Control

Available with 5 presets so that 5 different levels of lighting can be preset for all occasions. Can control up to 10 dimmer modules. Simple, user settable, presets work in a similar fashion to car radio station controls.

Off / Resume Global

To switch all lights on and off as you enter or leave the vessel. Can be programmed, for example, to leave one light on to allow you to disembark safely. Lights dim to 50% to provide user feedback before turning fully off after a time delay.

Off / Resume Programmable

Programmable switch for controlling lights in a zone on-board. Can be programmed, for example, to turn off all lights in a crew area or lower accommodation. Lights dim to 50% to provide user feedback before turning fully off after a time delay.

RGB Control

This control allows for coloured lighting to be incorporated into the mood lighting system. A number of colours can be selected to create a variety of effects. The light intensity can also be controlled.

Hardwired

A matching range of 'Hardwired' controls are available with one, two and three power buttons and an Up / Down control. The units are rated at 5 amps, two way switching is allowed for.

Dimmer Module

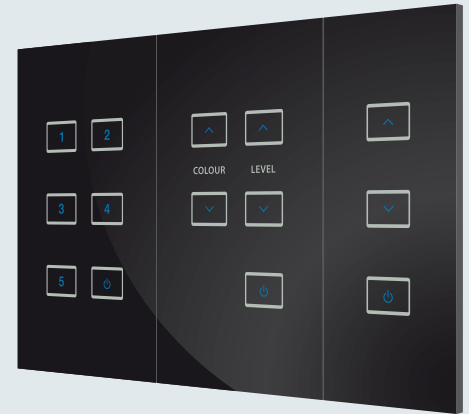
This unit provides the power to the lamps. It can accept a 16mm² feed which can be looped on to other modules. The unit can be located close to the lamps it is feeding, keeping power wiring to a minimum. It can be used as a dimmer or independently as a voltage stabiliser (controlled only by an off/resume signal).

RGB Dimmer Module

Special version of Dimmer Module for controlling RGB LED lighting.



ES LightNet Glass



ES LightNet dimmer control



Switches

All power buttons stay lit at half brightness when the lights are off for ease of location. All elements of the switches then illuminate when the lights are turned on. All back lighting turns off when the global off signal is received to minimise power consumption.

Intelligent cabling

LightNet uses similar cabling to that of PC systems (RJ12). In addition a high power DC cable is used between each areas dimmer unit, carrying the power required for the lights.

ES LightNet on luxury yacht



Please contact Energy Solutions for further information and order details.