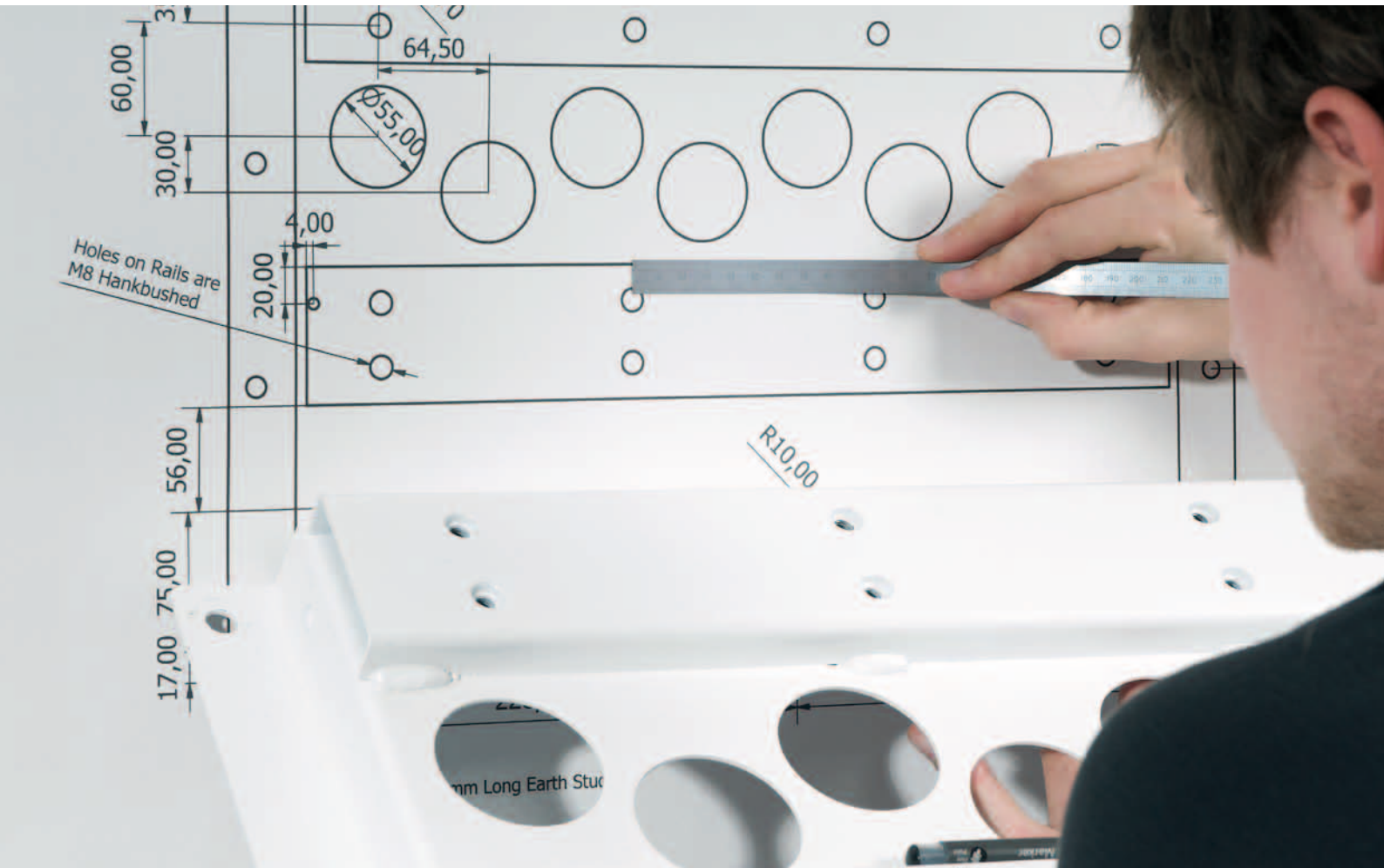


ENERGY SOLUTIONS

3D DESIGN & TECHNICAL DRAWING SERVICE



From sketch to digital prototype...

POWER AT YOUR CONTROL

3D DESIGN & TECHNICAL DRAWING SERVICE

From sketch to digital prototype...

We provide bespoke AutoCAD drawing services to businesses who require additional help for their in-house team, or a complete out sourced solution. We can produce the latest in working drawings, 3D modelling and technical representations for product designers, manufacturers and engineers.

We work alongside you to develop the drawings but take the details and completely manage the output at our offices, offering you a complete yet out sourced professional service. This allows us to produce technical drawings and designs to satisfy your requirements and deadlines.

Our Software

We use the latest software to generate our drawings and designs: AutoCAD and Inventor 2010. We can work from any drawings supplied in AutoCAD and we can output for manufacture in DXF, DWG, IGES, STEP and most other commonly used formats.

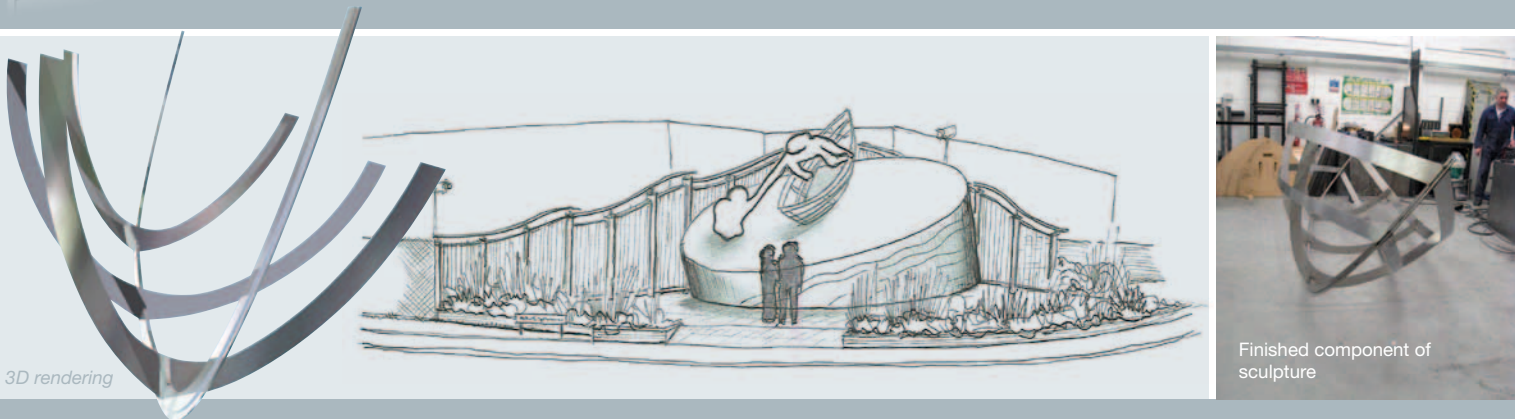
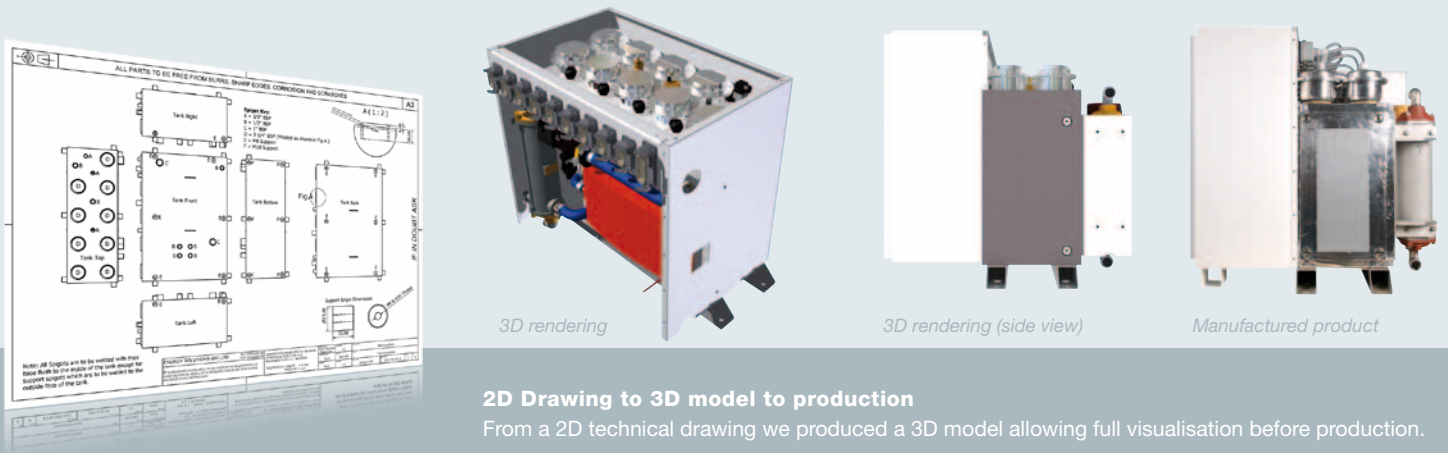
The Latest Technology

Our latest Software is Autodesk Inventor and AutoCad 2010, this software allows you some significant advantages in a competitive market.

- Make accurate 3D design decisions without building expensive prototypes
- Rapid creation of production-ready drawings
- Increase innovation in existing and new designs while reducing time to market

See a full demonstration..... We are able to offer you a full demonstration of the software's capabilities at our offices. Just ask for an appointment.

Examples of 2D technical drawings / 3D models to finished product:



3D

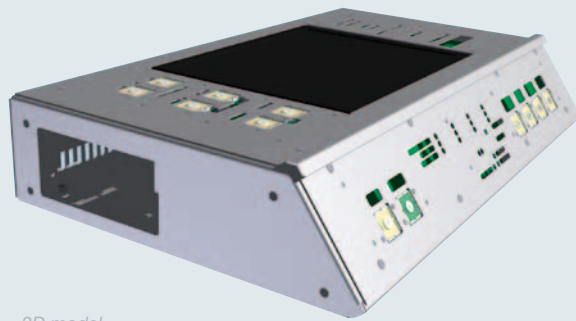
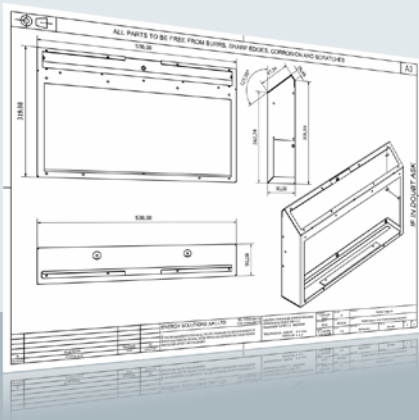
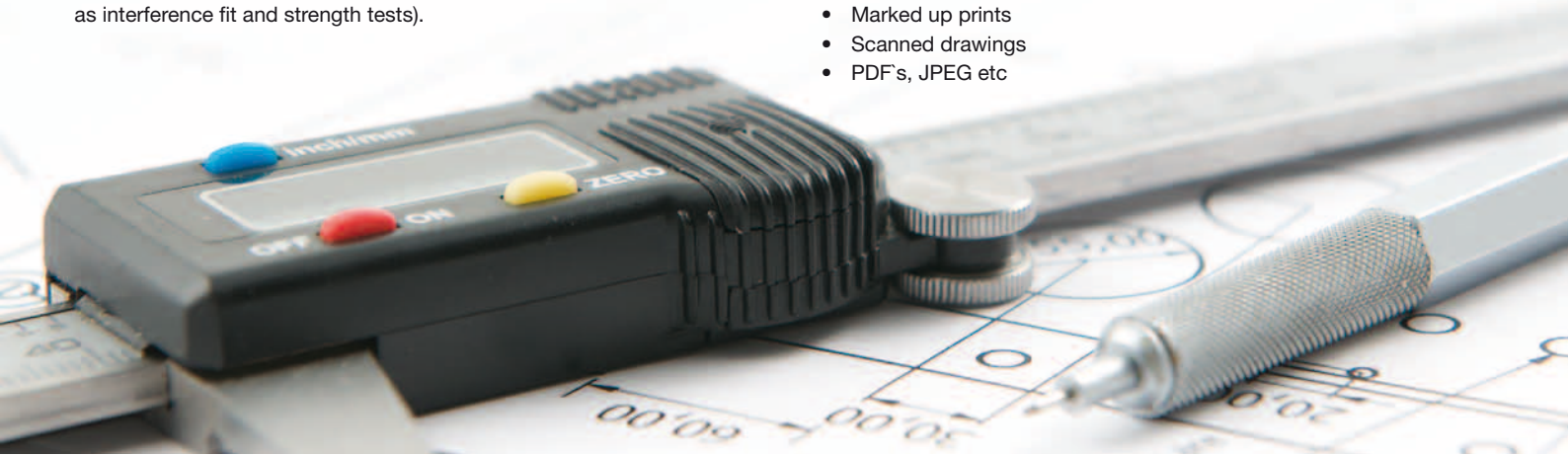
Using the latest 3D modelling software, we're able to convert your existing 2D drawings to 3D models. The process brings your product to life on screen and allows full views both internally and externally ensuring you see an exact representation of your design before going to manufacturing stage.

This advance in AutoCAD design uses exact material representation, it also has facilities to do mechanical tests on the 3D model design (such as interference fit and strength tests).

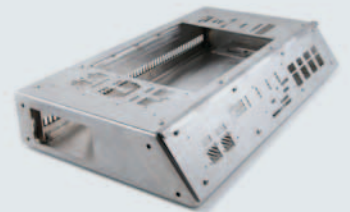
2D AutoCAD conversion

We also provide a comprehensive 2D CAD draughting service. All types of drawings including architectural, engineering, civil, surveys, maps etc can be accurately and manually converted to CAD perfect AutoCAD, DWG and DXF formats from:

- Any type of master drawing produced via the drawing board.
- Drawing blueprints
- Dimensioned sketches
- Marked up prints
- Scanned drawings
- PDF's, JPEG etc



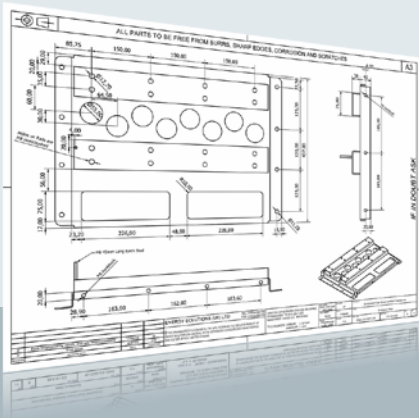
3D model



Prototype

Prototype production

From an initial concept we were able to quickly produce 2D technical drawings and a 3D model allowing a working prototype to be manufactured.



3D model

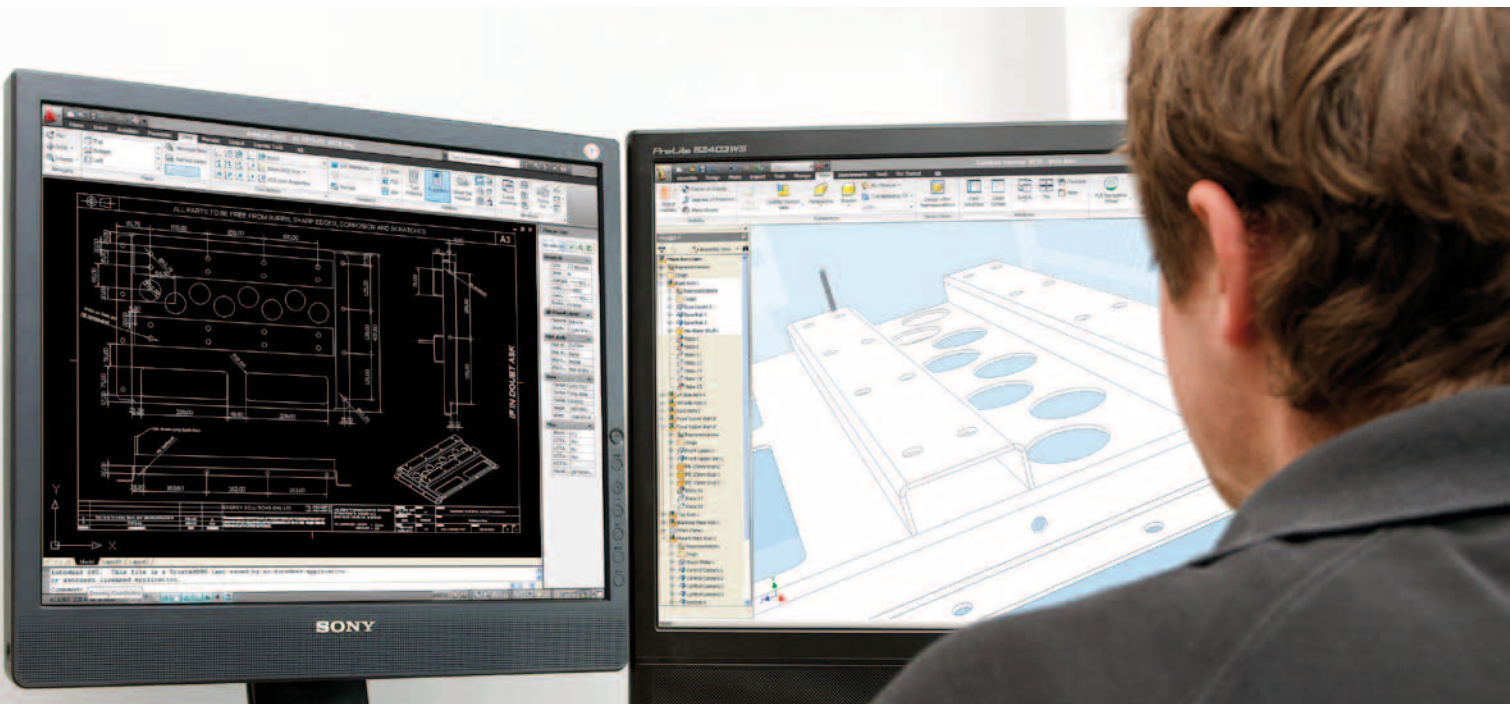


Production Unit

Product to technical drawing

Here we reverse engineered an existing product, producing 2D technical drawings and a 3D model for the production and manufacturing team.

3D DESIGN & TECHNICAL DRAWING SERVICE



Technical Drawing

Our 2D and 3D drawing services allow you to get full technical drawings for your products which convey all the required information that will allow manufacturing to produce your product.

Technical Documentation

We can produce literature from engineering drawings, method statements, or the finished product. This literature will allow users to operate products safely and will ensure the product is in conformity with the information disclosure requirements of any standards or legislation required.

Technical Documents

- Operation & Maintenance Manuals
- Parts Manuals
- Instruction Manuals
- Specifications, Sales Data Sheets, etc

Benefit of using our service

- Adhoc – you can use our service as and when required, from one project to on-going
- Lower overheads – out source your requirements rather than work inhouse.
- Latest software – we have the latest software which puts you ahead of the competition

Sales Tool

Use your 2D and 3D drawing as a sales tool for your business. Our designs can be produced on paper and disc and give you a powerful demonstration tool of your products. Video clips and designs can also be displayed in your sales literature and web sites.

Experienced within:

- Marine
- Vehicle
- Mobile industries
- Manufacturing
- Electronics
- Electrical engineering
- Product development
- Structural Design

Before and After

- 2D to 3D
- Sketch to CAD
- Product to Technical Drawing
- Product/technical drawing to Datasheet
- Design Prototyping

See a full demonstration.....

We are able to offer you a full demonstration of the software's capabilities at our offices. Just ask for an appointment.

ENERGY SOLUTIONS

George Summers Close, Medway City Estate, Rochester, Kent ME2 4EL UK
tel: +44 (0)1634 290772 Fax: +44 (0)1634 290773
email: sales@energy-solutions.co.uk web: www.energy-solutions.co.uk