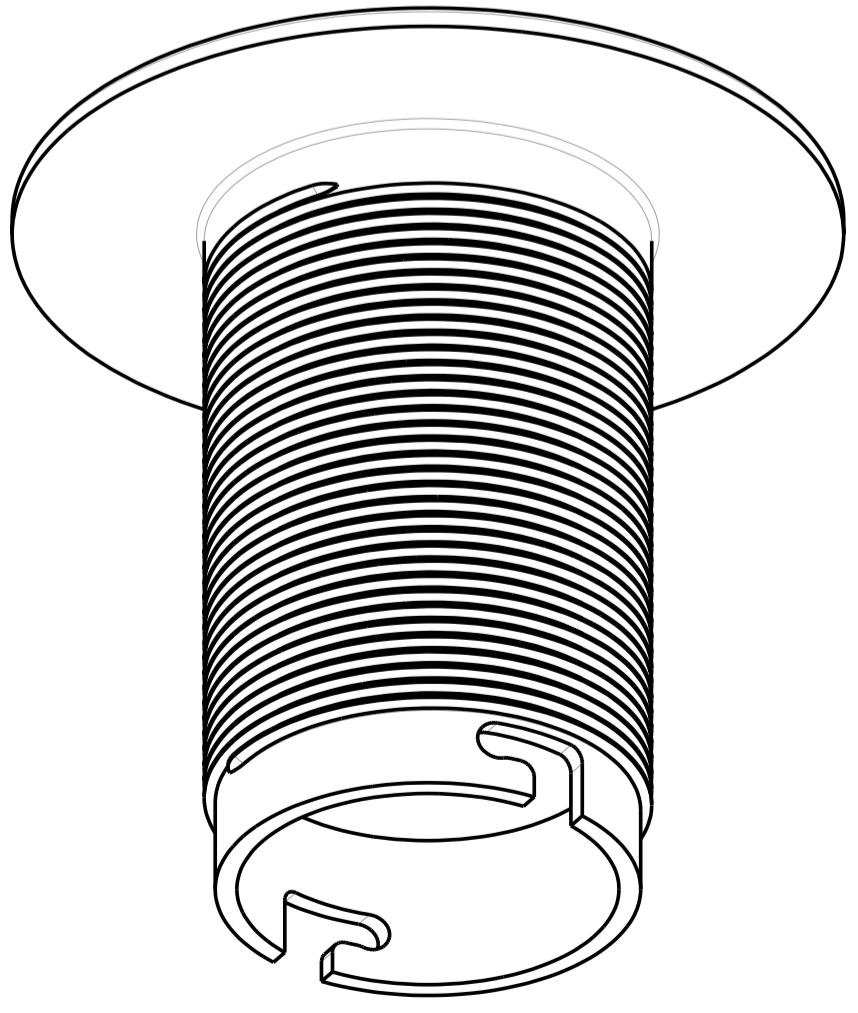
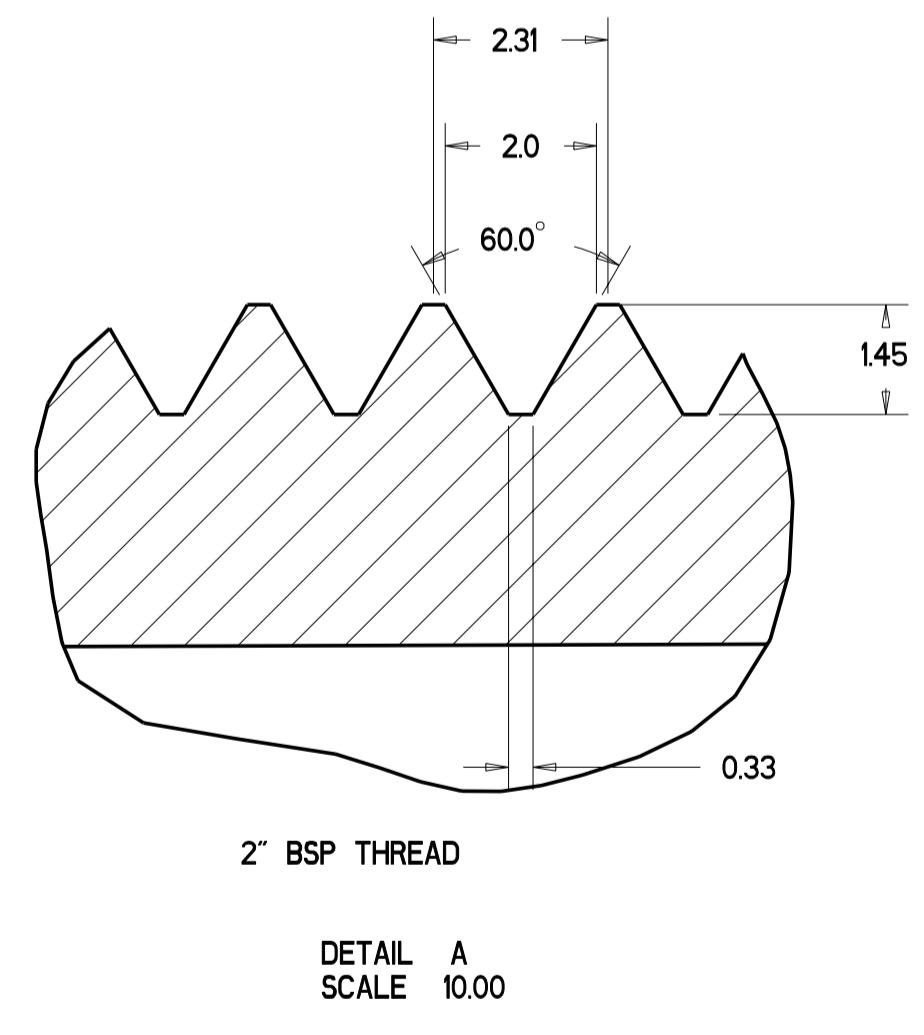
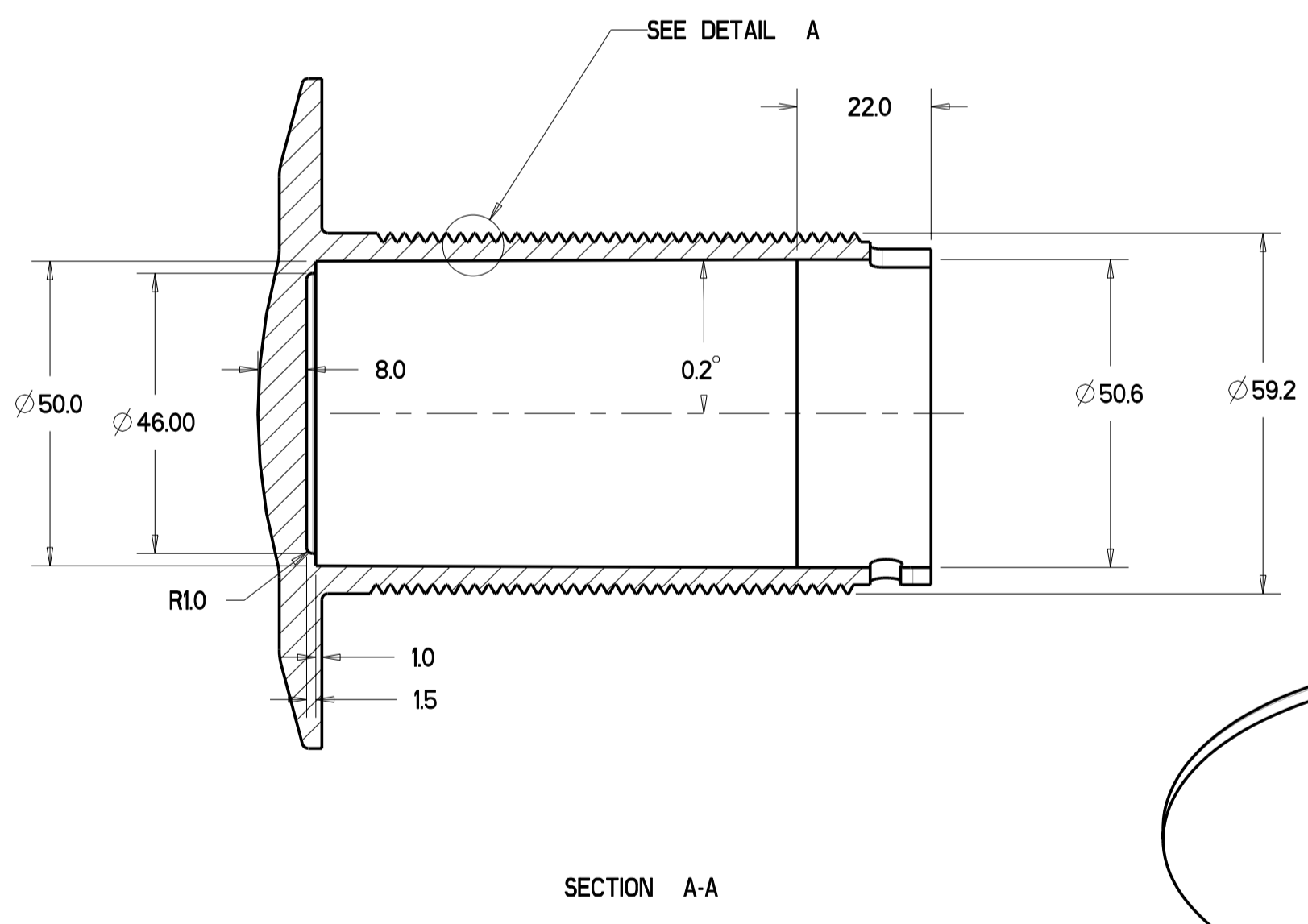
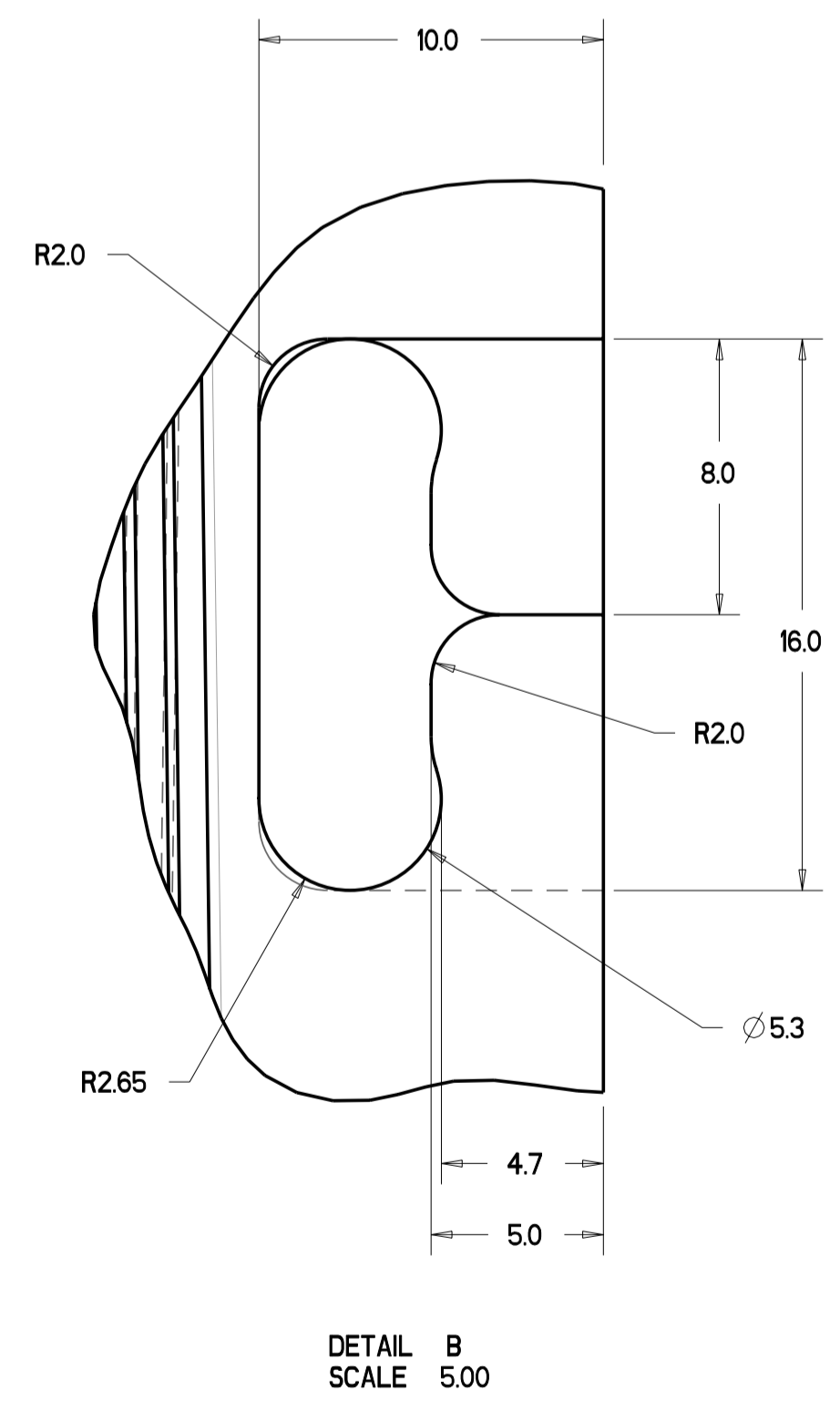
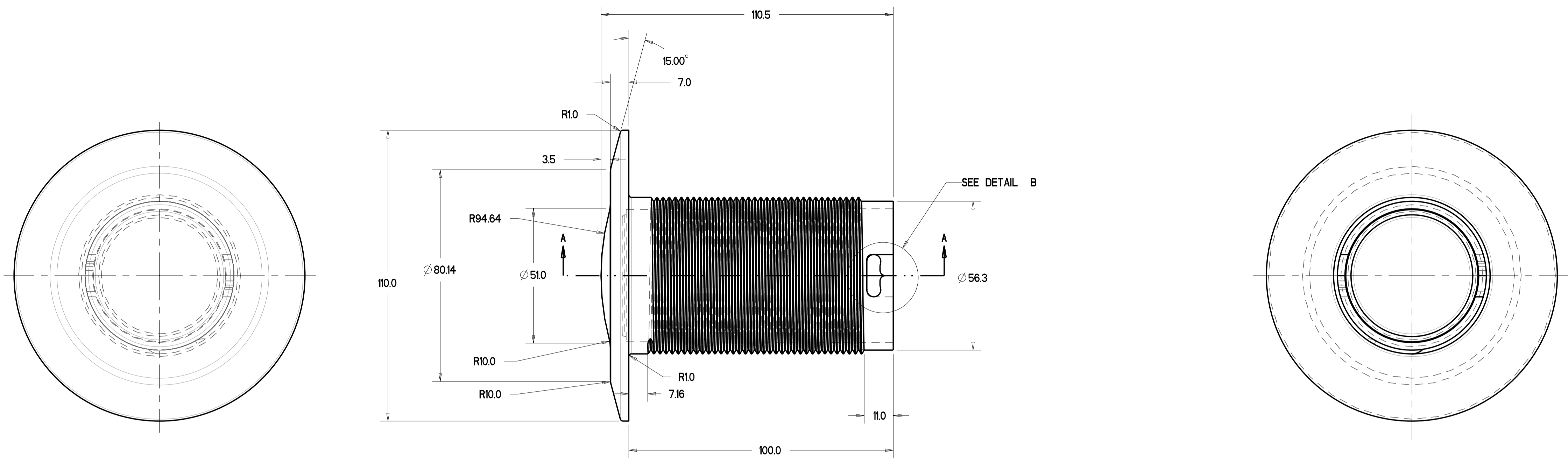


Whilst all care and consideration has been taken in producing this drawing, it is the responsibility of the patron to check it over thoroughly to ensure it is to their requirements

COPYRIGHT RESERVED
 This drawing and all information therein is the property of 3D PLASTIC DESIGN & CONSULTING ABN 68 424 347 876 and shall be returned on demand. If it is issued on the condition that except with our written permission, it must not be reproduced, copied or communicated to any other party nor be used for any purpose other than that stated in the particular enquiry, order or contract with which it is issued.



DRAFTING STANDARD: AS1100 - 1984 UNLESS OTHERWISE STATED ALL DIMENSIONS IN MILLIMETRES DO NOT SCALE		Tolerances ISO 7168 Precision Class Fine	Finish POLISHED	Scale 1:1000 UNLESS STATED OTHERWISE	Weight 141grms
2001	Date	Name	Material POLYCARBONATE		
Drawn	5-4-05	R.T.	Title LENS		
Checked			Drawing Number 01 80 AL 01		
App'd			Sheet # 1 of 1		
3D PLASTIC DESIGN & CONSULTING 50 HALDHAM CR REGENTS PARK QLD 4188 PH. 07 3800 9144		Project: AQUALUMA LENS ASSEMBLY	File Name: 01_LENS	Sheet # 1 of 1 AL	