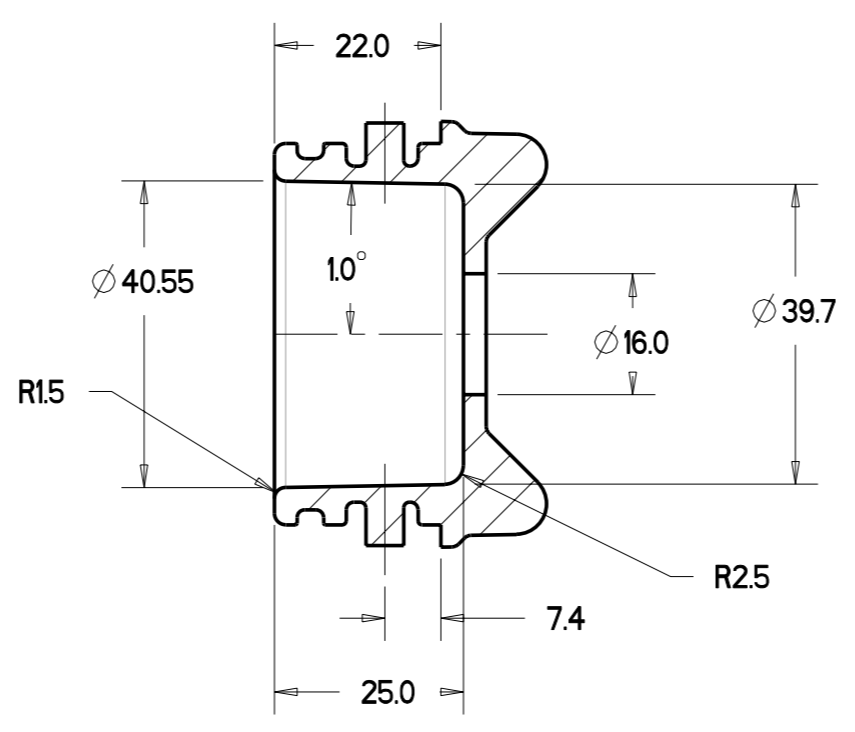
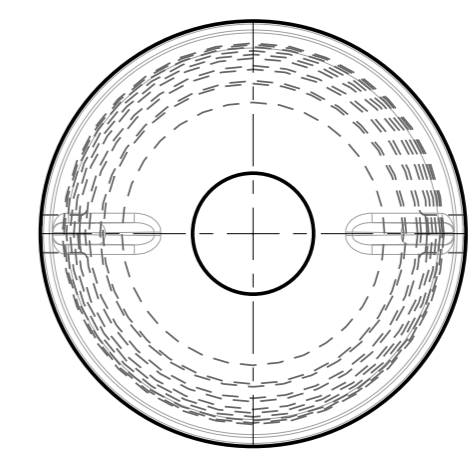
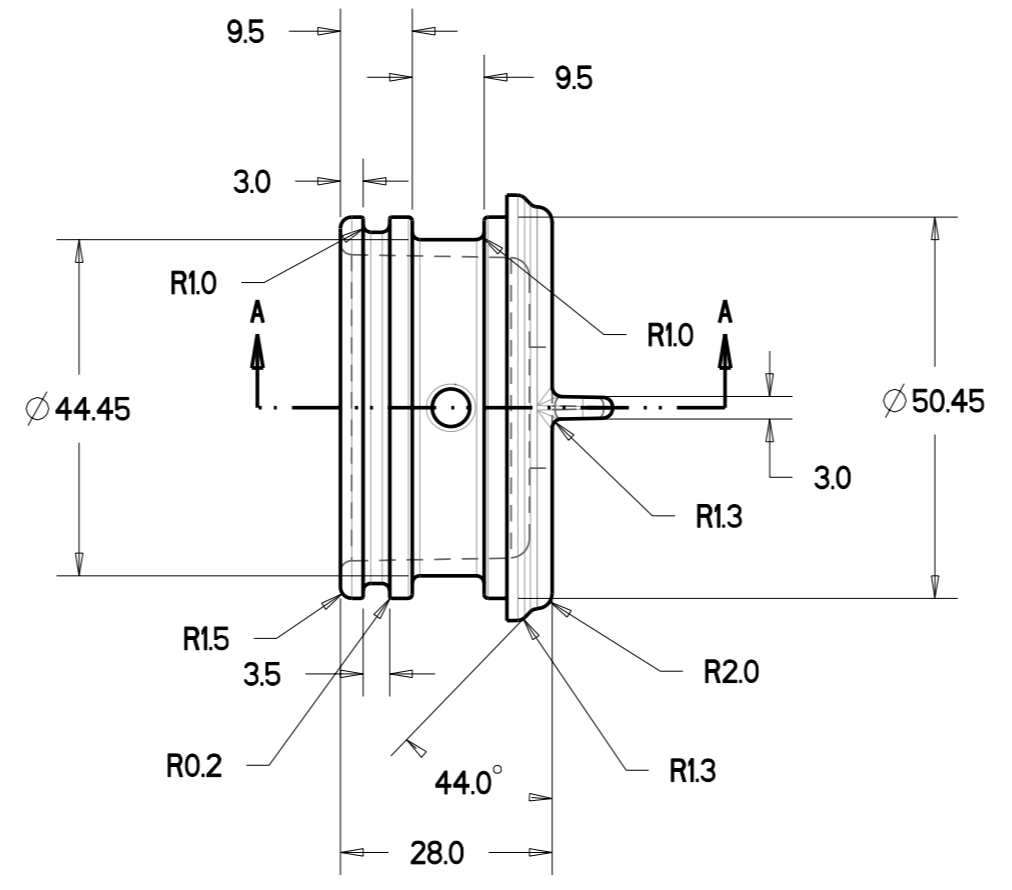
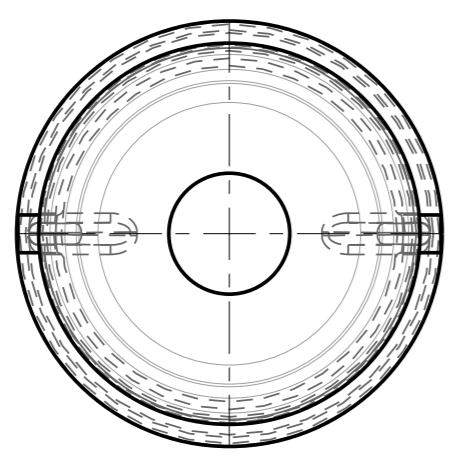
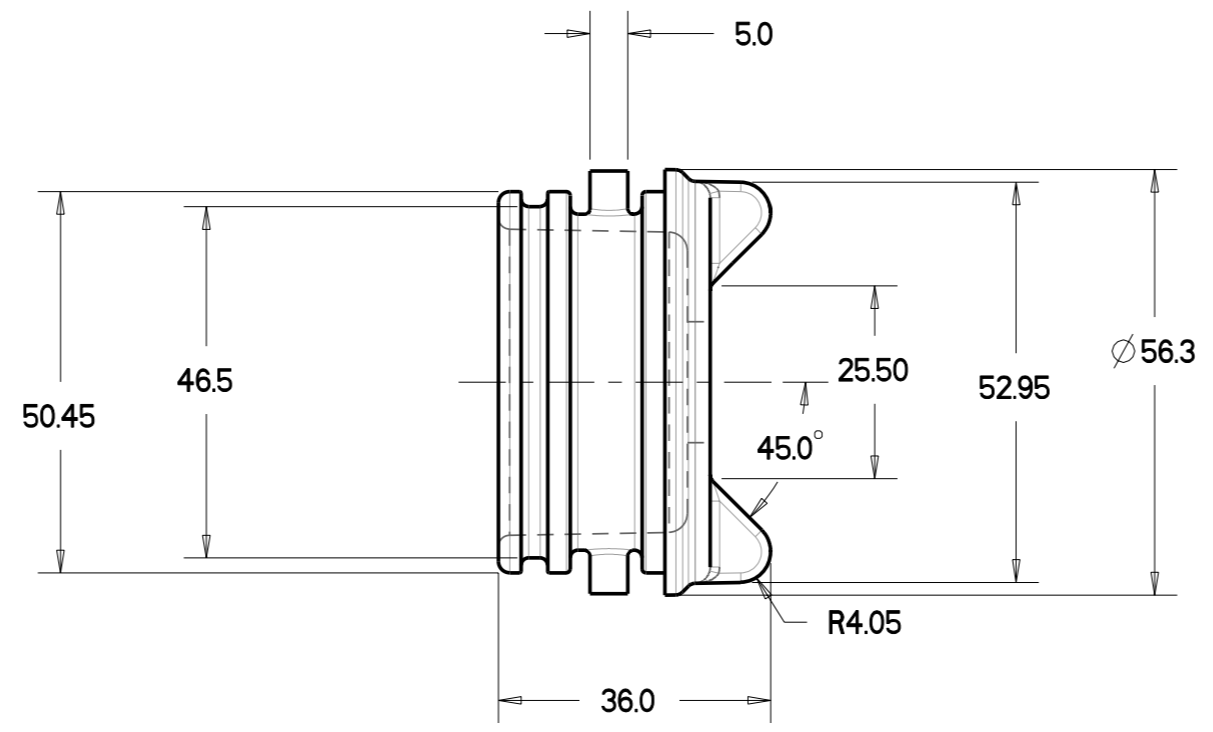


Whilst all care and consideration has been taken in producing this drawing. It is the responsibility of the patron to check it over thoroughly to ensure it is to their requirements

COPYRIGHT RESERVED
 This drawing and all information thereon is the property of 3D PLASTIC DESIGN & CONSULTING ABN 68 424 347 876 and shall be returned on demand. It is issued on the condition that except with our written permission, it must not be reproduced, copied or communicated to any other party nor be used for any purpose other than that stated in the particular enquiry, order or contract with which is issued.



SECTION A-A

GENERAL TOLERANCES UNLESS STATED OTHERWISE

1 DECIMAL PLACE	0.0	± 0.3
2 DECIMAL PLACES	0.00	± 0.03
3 DECIMAL PLACES	0.000	± 0.006

DRAFTING STANDARD: AS1100 - 1984 UNLESS OTHERWISE STATED ALL DIMENSIONS IN MILLIMETRES DO NOT SCALE		Tolerances Tolerance Table ISO 7169 Precision Class Fine	Finish NATURAL	Scale 1000 UNLESS SHOWN OTHERWISE	Weight 26grms
2001	Date	Name	Material POLYCARBONATE		
Drawn	5-4-05	Roger	Title END CAP		
Checked			Drawing Number 01 80 AL 02		
App'd			Sheet # 1 of 1		
Projection Method		ISO - A	File Name 01.END.CAP		
3D PLASTIC - DESIGN & CONSULTING 56 HALDHAM Cr. REGENTS PARK, Qld 4118 PHONE (07) 3800 9144		Project: AQUALUMA LENS ASSEMBLY			
Rev	Description	DATE	CKD		
A	Original	5-4-05			